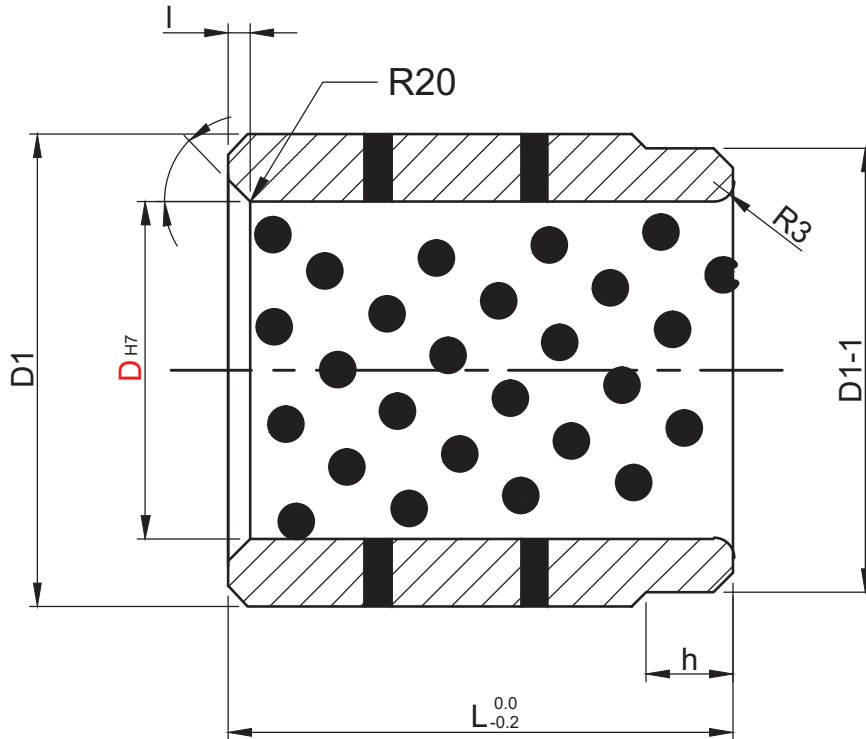


► Oilless Bush (PBOB)



Material :- Phosphorus Bronze (PB) / Cast Iron (CI) Grade FG260
Embedded with solid lubricant

Type	D1		Dh7		L	h	l	D
PBOB	50	±0.008	30	(+0.021) (-0.0)	50	10	5	30
	60	±0.0095	40	(+0.025) (-0.0)	60			40
	70		50		75	15	50	
	80	±0.011	60	(+0.030) (-0.0)	90	20	10	60
	100		80		120	25		80
	120	±0.013	100	(+0.035) (-0.0)	150			100

Order Type :- Code X dia(D) X Material
Example :- PBOB X 50 X CI